

# Firefree Coatings Inc

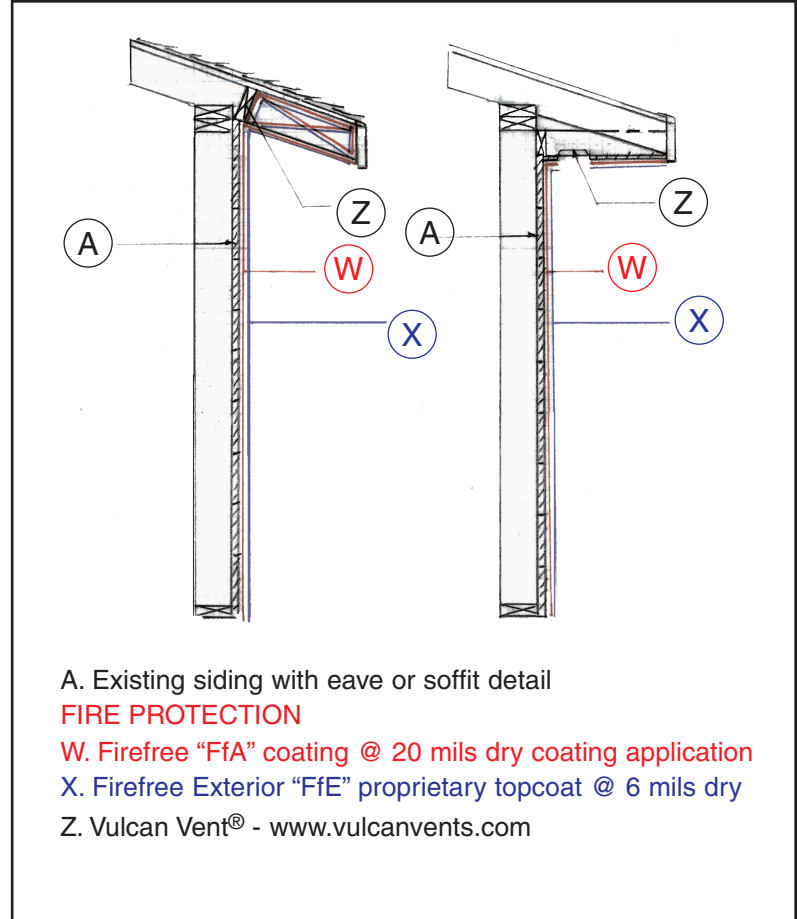
HIGH PERFORMANCE FLAME RETARDANT & FIRE RESISTANT COATINGS

The FF Exterior System is designed to provide fire retardant benefits, per ASTM E-84 30 Minute Extended in exterior applications (walls, sidings, eaves, soffits), thus improving fire protection for structures exposed to wildfires in the Wildland Urban Interface (“WUI”).



## FF EXTERIOR SYSTEM

- ✓ HIGH PERFORMANCE FIRE PROTECTION
- ✓ EXCELLENT MOISTURE AND UV RESISTANCE
- ✓ HIGH QUALITY EXTERIOR FINISH
- ✓ GREAT ADHESION AND COLOR RETENTION
- ✓ EASY TO USE AND APPLY
- ✓ ENVIRONMENTALLY FRIENDLY
- ✓ CAN BE TOPCOATED WITH AN ACRYLIC EXTERIOR PAINT TO ACHIEVE DESIRED COLOR & SHEEN



## The FF Exterior System has two components.

1. Firefree Class A (“FfA”) applied at 20 mils dry to provide the fire retardant protection per ASTM E-84 30 Minute Extended.
2. Ff Exterior (“FfE”) Topcoat to be applied at 6 mils dry over FfA to protect the fire retardant properties of FfA from exterior weathering.

FF Exterior Topcoat is a premium, 100% acrylic, exterior satin paint to be used exclusively to go over Firefree Class A or Firefree 88, to improve the durability of such products if used in exterior applications in strict compliance with Firefree’s recommendations.